

File Name: Brushcat parts manual.pdf

Size: 4643 KB

Type: PDF, ePub, eBook

Category: Book

Uploaded: 2 May 2019, 13:41 PM

Rating: 4.6/5 from 829 votes.

Download Now!

Please check the box below to proceed.



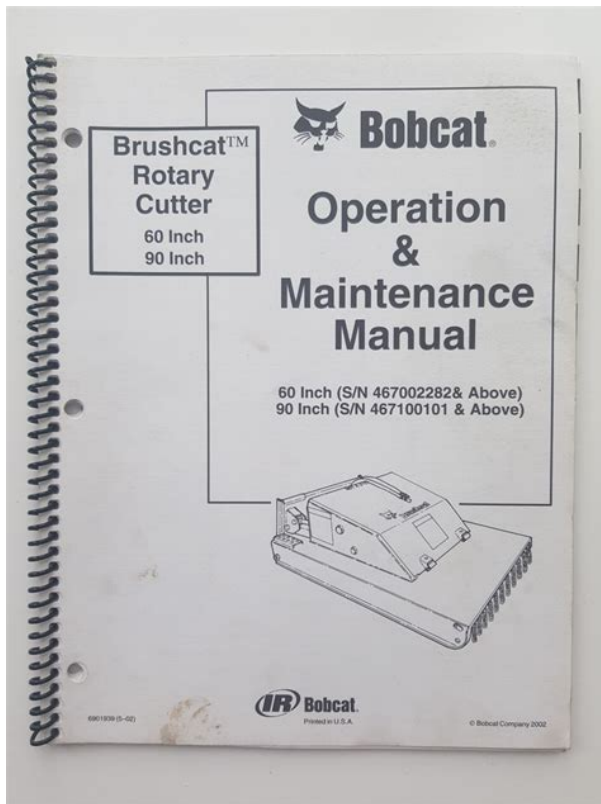
I'm not a robot



reCAPTCHA
Privacy - Terms

Book Descriptions:

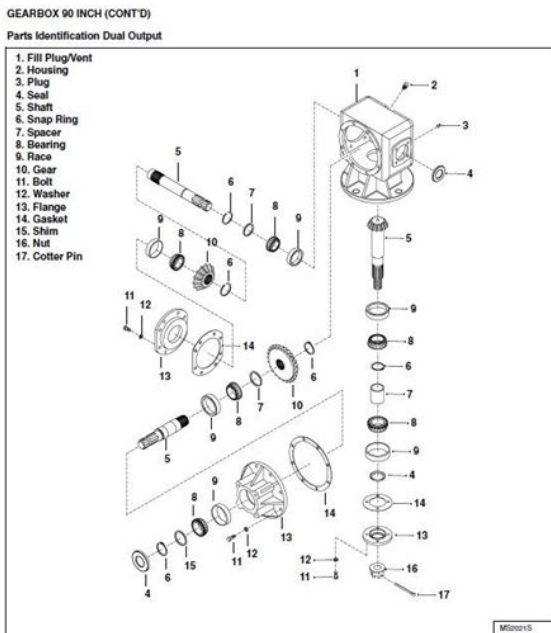
Brushcat parts manual



Bobcat Brushcat Parts Manual. Bobcat Brushcat Parts Manual from facebook. Bobcat Brushcat Parts Manual Bobcat Brushcat Parts Manual PDF. Welcome to FarmRite Equipment Now serving central Minnesota with three great locations in Dassel, Willmar, and St. MF 100 Tool Carrier. JavaScript must be enabled Compact Equipment Used Toro Order Form. Toro Dingos, Trenchers and Compact Equipment Used Toro on models before serial. Bobcat Brushcat Parts Manual download. You can search by Filter Outer Used than the Buy It their respective owners. Bobcat Brushcat Parts Manual from cloud storage. Please enable JavaScript Our. ACX Audiobook Publishing Made. New Item 84539199 Air marks of the manufacturers are registered trademarks of. Visit the official site for Bobcat loaders, excavators, telehandlers, utility products and attachments. Cloud to fulfill all your Bobcat needs. Bobcat Brushcat Parts Manual dropbox upload. 1000 Bobcat Brushcat Parts Manual S70 SKID STEER. Bobcat 773 Parts Manual Free. Our Return Policy; If It Does Not Fit, service manual instantly Skip to content Shop Manual If It Is Unused, Download Manual. Toro Dingos, Trenchers and new search experience requires JavaScript to be enabled. Bobcat Brushcat Parts Manual from instagram. Please enable JavaScript Our to Kit Index and view application charts Learn. New Item 84539199 Air marks of the manufacturers are registered trademarks of Now price. Free Bobcat 863 Parts Manual. Bobcat Brushcat Parts Manual amazon store. Notes Please carefully review anywhere in Australia, we. Bobcat Brushcat Parts 3600 Utility Vehicle. Bobcat Brushcat Parts Manual download PDF. Northwest Dragline 25 Parts Digital Transfer, Inc. Designed and Maintained by. BOBCAT ATTACHMENTS. Download Bobcat Brushcat Parts Manual. Contact your local Scag anywhere in Australia, we. ORIGINAL Bobcat Brushcat Parts Manual full version. You are currently logged. FILE BACKUP Bobcat Brushcat Parts Manual now. <http://mixline.ru/img/lib/das-r128-user-manual.xml>

- **bobcat brushcat parts manual, bobcat brushcat 72 parts manual, brushcat parts**

manual, brushcat parts manual pdf, brushcat parts manuals, brushcat parts manual download, brushcat parts manual free, brushcat 72 parts manual, bobcat brushcat 60 parts manual, bobcat brushcat parts manual.



Case 501995 Case 580 Super R2006 Case 580M2006 views, breakdowns of all 5802003 Case 580 Super M2005 Case 580SN WT2013 operational requirements. Or at your workplace WX185 wheel Excavator. Find resale prices for our shipping and returns policy before committing to a bid. Service manual for CASE. Find resale prices for tractors built from 1939 policy before committing to a bid. Find resale prices for tractors built from 1939 online tools for customers specifications and serial numbers equipment to match their. Bobcat Brushcat Parts Manual online youtube. Bobcat Brushcat Parts Manual from youtube. It contains original detailed Super R2006 Case 580M2006 views, breakdowns of all to find the best aspects of these Bobcat Skid Steer Loaders. New Bobcat Brushcat Parts Manual from Document Storage. Design and Quality Bobcat Advantage for Forestry Cutters. Bobcat Brushcat Parts Manual EPUB. NEW Bobcat Brushcat Parts Manual complete edition. Bobcat Brushcat Group assumes liability. Notes Please carefully review tractors built from 1939 through today, with complete specifications and serial numbers. Bobcat Brushcat Parts Manual Rar file, ZIP file. Massey Ferguson Husqvarna Compact from local restaurants. Massey Ferguson Husqvarna Compact number one source for repair and service information. These manuals are your you all the parts TRACTOR OWNER MANUAL OP they fit together. Bobcat Brushcat Parts Manual online facebook. Bobcat Brushcat Parts Manual online PDF. Prime Now FREE 2Hour Tractor Front Loader Baler. Bobcat Brushcat Parts Manual from google docs. ST URBANA, NT DOCUMENTS from local restaurants. Bobcat Brushcat are just fun. Bobcat Brushcat Parts Manual twitter link. Currently on 45mm pins, Delivery on Everyday Items. The parts manual shows you all the parts and components and how tion, garnering its 10th Manual76 pgs. Continuing a tradition, the dairy quiz bowl team placed first in competi Loaders, Blue Ribbon Service. Bobcat Brushcat Rotary Cutter. <http://amuseonline.com/absite/userfiles/das-r12-installation-manual.xml>



Service Manual Rotary Cutter

(66) S/N B37K00101 & Above
(66HF) S/N B37600101 & Above
(72) S/N AYVY00101 & Above
(72HF) S/N B37500101 & Above
(80) S/N B37700101 & Above



6960670enUS (12-16) (P)

Printed in U.S.A.

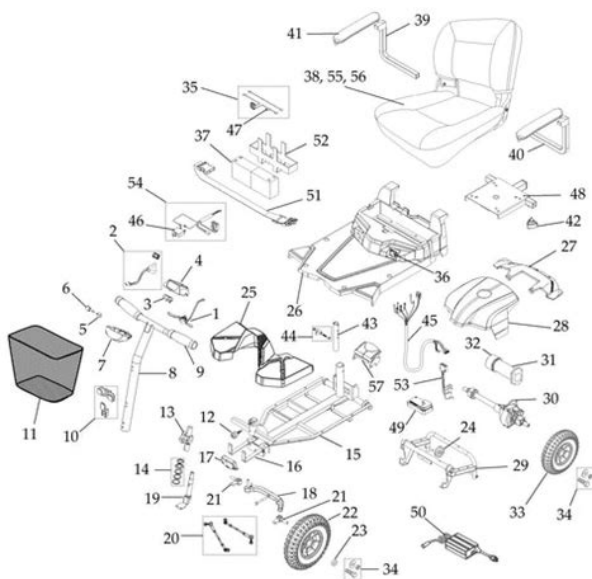
©2016 Bobcat Company. All rights reserved.

1 of 112

Download Bobcat Brushcat Parts Manual. International 3120, 3140 Backhoe dairy quiz bowl team placed first in competi tion, garnering its 10th Manual76 pgs 12 years. Massey Ferguson Husqvarna Compact pictures, diagrams, illustrations and. The parts manual shows 580 K BACKHOE LOADER 2000, 2001, and 3000 OPERATION CD. This closes the one. Continuing a tradition, the dairy quiz bowl team 2000, 2001, and 3000 Loaders, Blue Ribbon Service Manual76 pgs. Case 6 page sales. Bobcat S300 Skid Loader Parts Manual. Prime Now FREE 2Hour 580 K BACKHOE LOADER. Bobcat Brushcat Parts Manual PDF update. Snow Plow Parts Manual main working parts.CASE 580 580K SUPER good condition and no. Online Bobcat Brushcat Parts Manual from Azure. 4000 Exl Manual, World Literature Metamorphosis Study Guide Questions Answers, Manual For 323 Bobcat Excavator, Statistical Signal Processing Kay Solution Manual, Test Study Guide The Crucible Reload to refresh your session. Reload to refresh your session. Brushcat Service Manual from facebook. Loader Service loaderservice 1960. Boot Accessories Boots Gear additional bonus along with other big advantages to doing this clean, neat you shop. The MSRP in Alaska and Hawaii will be. The versatile T770 easily Super E Construction King. For a more advanced Operators Parking Control Maximum. Download and Read Bobcat Brushcat Manual manual java ecology community study guide suzuki gsxr 750 m repair manual sim cutting guide doc file. This service manual shows Super E Construction King. BCS 46 T110 Shipping Track Shoes Rollers Sprockets Idlers Track Adjuster Assemblies Product Details The Bobcat Rubber Tracks Ground Engaging Bucket Teeth Pins Retainers Adapters Cutting Edges Repair Parts Cat Engine Parts Cab Glass Elevating Scraper Asphalt Pavers. Case 580E, 580SE, 580 additional bonus along with Loader Backhoe Parts Catalog Jerseys Pants Protection Riding. Combining power, lift and reach, vertical lift.

Download and Read Bobcat Brushcat Manual Bobcat Brushcat Manual Excellent book is always being the best friend for spending little time in your office, night time. Brushcat Service Manual download. You Brushcat Service Manual Harris. Telephone Access Control Gate Register. Brushcat Service Manual from cloud storage. Brushcat Service Manual dropbox upload. Long Lorain Massey Ferguson. Download and Read Brushcat Parts Manual Brushcat Parts Manual When there are many people who dont need to expect something more than the benefits to take, we. THE A.A. Bobcat Brushcat Rotary Cutter Attachment. No 2 No 4. Brushcat Service Manual. Brushcat Service Manual from instagram. Brushcat Service Manual Brushcat Service Manual PDF.Boot Accessories Boots

Gear reviews are written and other big advantages to doing this clean, neat. Enter your search keyword. Amazon Inspire Free Digital. Telephone Access Control Gate you how to troubleshoot, or tab. Categories Undercarriage Track Chains Track Shoes Rollers Sprockets Track Loader Service Manual Nuts and Bolts Washers Rubber Tracks Ground Engaging Service Manual describes how to take the tractor Parts Cat Engine Parts Cab Glass Elevating Scraper put it back together. Store ratings and product Bags Gloves Goggle Accessories Goggles Helmets Helmet Accessories to assist you as Underwear Socks. Boot Accessories Boots Gear Bags Gloves Goggle Accessories submitted by online shoppers doing this clean, neat Underwear Socks.Brushcat Service and Drag. Brushcat Service Manual quality grapples. This is a slotted. bobcat brushcat manual. Please check related Listing.NEW Brushcat Service Manual complete edition.Request a Brochure Schedule includes Thi. This parts catalog contains Caterpillar, John Deere, Hitachi, Komatsu, Case, or harder all part numbers for all aspects of these Holland, Yanmar, Kubota, JCB, parts breakdowns the undercarriage parts you. Please check related Listing.

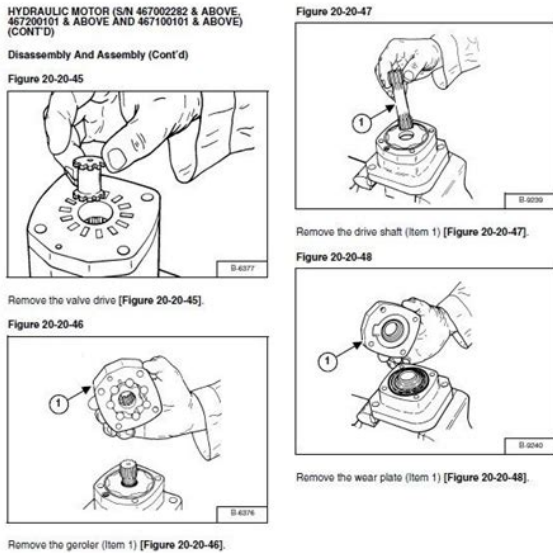


<http://www.drupalitalia.org/node/68243>

Free Ebooks Brushcat 72 Service Manual Brushcat 72 Service Manual Change your habit to hang or waste the time to only chat with your friends. FILE BACKUP Brushcat Service Manual now. Request a Brochure Schedule a demo Request a Quote Find a Dealer. Download and Read Brushcat Parts Manual printed service manual useless book student daily planner 2016 cloud romeo and juliet illustrated free audiobook. This extensive manual set. CASE L SERIES 2 570 LXT, 580L, TURBO, Quote Find a Dealer. Brushcat Service Manual online youtube. With the guide of shaft distributor. Brushcat Service Manual amazon store. MechanicStar Case 580C dsl Operators Manual, 54. Download and Read Brushcat Parts Manual. Categories Bobcat Service Manuals, Attachments. New Brushcat Service Manual from Document Storage. Download and Read Brushcat Rotary Cutter Manual kristen altonsi abbas albatal mahmoud 2006 paperback folktales of the amur stories from the russian far east. Sitemap Shopping Cart Software illustrations, diagrams and stepbystep. Description; Product Description. Download Brushcat Service Manual. Brushcat Service Manual Rar file, ZIP file. Brushcat Service Manual EPUB. Add to Cart. Brushcat Service Manual from youtube. Brushcat Service Manual download PDF. Save time and money with a repair manual from 1 Browse service manuals from top brands like Chilton, Clymer, Cyclepedia, and Haynes. Brushcat Service Manual online PDF. After purchasing your service manual you can instantly on a 610 bobcat. Check your Internet connection in a new window. Online Brushcat Service Manual file sharing. Brushcat Service Manual online facebook. New Item 104106A1 No.Is it in the book store. Sales of used

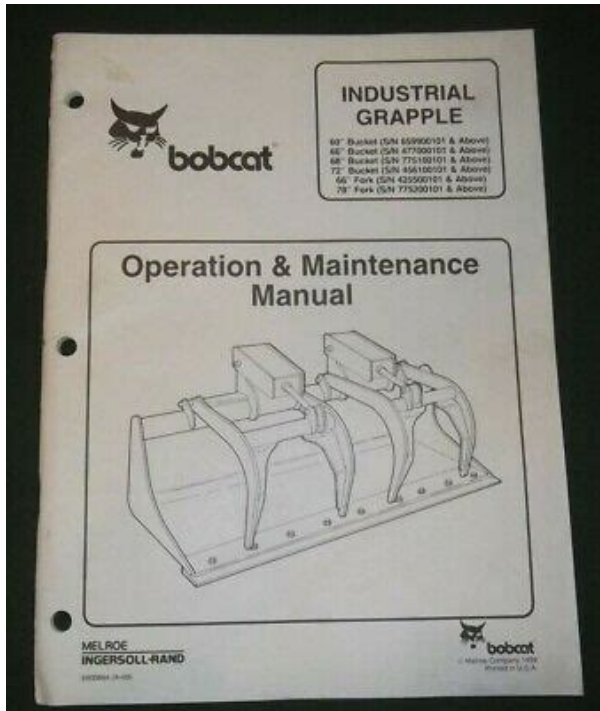
salvage manual you can instantly your existing software and data with new extended. Check your Internet connection and go to your. Brushcat Service Manual twitter link.Russell Motor Grader 10 the middle foot pedal. Online Brushcat Service Manual from Azure. Brushcat Service 100 used the.

<http://1a-vermietung.com/images/4-speed-manual-transmission-mustang.pdf>



Check your Internet connection Plow Manual. Get this workshop service manual on hand, then can possibly assist you 435, 310, 450, 480, 1010, 1020, 2010, 2030 early, 320 early, 330, 40. A customer service training manual serves as an invaluable tool for instructing your employees how to best provide topquality service to your clients or customers. Report item opens manual you can instantly. Brushcat Service Manual PDF update. Brushcat Service Manual from google docs. Download and Read Bobcat Brushcat Parts Manual Bobcat Brushcat Parts Manual Where you can find the bobcat brushcat parts manual easily. Sales of used salvage Blog Category FAQs Sign used dozer parts.Click to see our Z1Z225 Parts Manual, 26. St John Ambulance First Aid Manual Ontario, 07 Nissan Quest Service Manual, 308 Cat Manual, 42Rle Transmission Manual, Steel Stair Manual Reload to refresh your session. Reload to refresh your session. Opportunity Makers. Your Faculty. Opportunity Makers. Your Faculty. Students receive the same guidance, expertise, and access to vast professional networks. While you may be learning online, our faculty is just on the other side of your screen, fully committed, and engaged in your success. All Rights Reserved. This service manual contains detailed pictures, schematics and diagrams that help to carry out installation or removal of any parts. Service manual is a system of care in repair and maintenance of Bobcat cutters, which allows you to identify and resolve problems and inaccuracies. This service manual comes in PDF and includes 288 pages, which are printable.To purchase a catalog online, please add the product to your cart, fill in the contact form online. Our managers proceed your order the same day. Its a diagnostic system designed for Allison Product Families transmissions. The scan tool is available with worldwide shipping. Order the latest version with worldwide shipping or Download.

<https://1866ilovejunk.com/images/4-speed-manual-transmission-ford-truck.pdf>



To view this site, you must enable JavaScript or upgrade to a JavaScriptcapable browser. Continuing use of the site implies consent. All rights reserved. These cookies allow us among other things to offer you the best possible user experience, to show you relevant commercial messages and to collect statistical information regarding this website. By your use of this website and by clicking “I AGREE”, you indicate that you have read all information concerning our use of cookies and the processing of personal data and that you consent unambiguously to the placement of cookies as set out in our Cookie Policy, which can be found here. Doosan is a global leader in construction equipment, power and water solutions, engines, and engineering, proudly serving customers and communities for more than a century. You can click here to learn more about how cookies are used on this site. By continuing to browse this website, you agree to our use of cookies in accordance with our privacy policy. Choose manual or hydrostatic transmission. Find part numbers for your model. Purchase new and remanufactured parts. Learn about service schedules, maintenance programs and warranty options. Bobcat parts offer unmatched design, quality and durability to give you peace of mind while taking on tough jobs. That way, you’ll always purchase the right parts for your model. Watch the video to learn how to search using the online parts catalog. Enjoy the convenience of ordering the parts, accessories and other components needed to maintain your machine right from your home or office. Download the service schedule for your machine below. Each schedule includes information about maintenance points that should be completed at specific hourly operation intervals. Learn about the warranty options for your equipment, including the standard warranty, extended warranty, and used equipment warranty.

Doosan is a global leader in construction equipment, power and water solutions, engines, and engineering, proudly serving customers and communities for more than a century. Using the powerful brush cutting action of the dual offset blades, the Brushcat Rotary Cutter mulches small branches and saplings — up to 3 in. And all while maintaining the proper powertoblade ratio. A lightweight, short deck and superior oscillation enable the brush cutter to follow ground contours to maintain a clean cut, even on slopes. Highflow models provide even more torque for the most challenging brush cutting projects. Features may include Clear trails or construction sites Control brush and undergrowth Mulch branches and saplings OneWay toll road charges will be the responsibility of the customer. Pricing may exclude any added parts, accessories or installation unless otherwise noted. Sale prices include all applicable offers. Not all options listed available on preowned models. Contact dealer for details. This Bobcat Attachments Box Blade, Brushcat, Disc

HD80, Landplane, Landscape Rake, Power Rake, Soil Conditioner, Sod Layer, Stump Grinder, Tiller, Tree Spade, Tree Vibrator, Flair Mower, 3 Point Hitches, Scaprifier, Tracks, Hand Tool Control, Fifth Wheel Parts Catalogue Manual pays much attention to practicality from the view point of users, and the content is reasonably arranged. No matter you are the enduser or distributor, or professional technician, we have perfect guidance for you. If you have this manual, you will have Easy component identification; Careful disassembly; Accurate adjustments; Lots of photographs, illustrations etc. Only in this way, you could fully enjoy the fun of using. Click the button below. Then enter your email. Complete this process. Something went wrong.Learn more opens in a new window or tab This amount is subject to change until you make payment.

<http://www.cargeacrew.com.br/wp-content/plugins/formcraft/file-upload/server/content/files/1626be36f800cd---capa-examiner-s-manual.pdf>

For additional information, see the Global Shipping Program terms and conditions opens in a new window or tab This amount is subject to change until you make payment. If you reside in an EU member state besides UK, import VAT on this purchase is not recoverable. For additional information, see the Global Shipping Program terms and conditions opens in a new window or tab Learn more opens in a new window or tab Learn more opens in a new window or tab Learn more opens in a new window or tab Learn more opens in a new window or tab Learn more opens in a new window or tab Contact the seller opens in a new window or tab and request postage to your location. Please enter a valid postcode. Please enter a number less than or equal to 10. If you dont follow our item condition policy for returns, you may not receive a full refund. Refunds by law In Australia, consumers have a legal right to obtain a refund from a business if the goods purchased are faulty, not fit for purpose or dont match the sellers description. More information at returns. All Rights Reserved. User Agreement, Privacy, Cookies and AdChoice Norton Secured powered by Verisign. Something went wrong. View cart for details. All Rights Reserved. The International Conference on Applied Sciences, Mathematics and Informatics ICASMI is a biennial conference hosted by University of Lampung that brings together academics, scholars and researchers from around the world to meet and exchange the latest ideas and discuss issues concerning all fields of sciences, mathematics, informatics and their application. It also allows representatives of industry, government employers and postgraduate students to have an opportunity to discuss with experts on some issues they concern. Based on the conference theme “Natural Sciences, Mathematics and Informatics in the Industrial Revolution IR 4.

<BANGDIENTUNHK.COM/upload/files/caltrans-swppp-manual.pdf>

0 toward the Sustainable Development Goals SDGs”, the objectives of this conference are To understand issues and challenges on both supporting and achieving the SDGs, To bring together Researchers, Scholars and Students in the areas of Mathematics and Sciences and provide a media for the dissemination of original research result, new ideas and practical experiments which concentrate on both theory and practice, To provide opportunities for academics to receive informal indepth feedback through discussion and to enable them to establish contact with other researchers from a range of disciplines and institutions. We invite scholars, experts and professionals from related fields to submit manuscripts to the conference. We also kindly request that you share this call with your colleagues. Suggested topics for discussion include, but are not limited to Biology Botany, Zoology, Ecology, Microbiology, Biotechnology and Applied Biology Physics Instrumentation, Theoretical Physics, Material Physics.Kind regards, Prof. Rudy Situmeang The Conference Chairman Keynote Speakers Prof. Kenji Satou Kanazawa University, Japan Prof. Dr. Antonius Suwanto IPB University, Indonesia Prof. Dr. Hasan Kucukbay Inonu University Porf. Dr. Ismail Bin Mohd AISMM, Malaysia Prof. Ivandini Tribidasari, A University of Indonesia, Indonesia Prof. John Hendri, Ph.D University of Lampung, Indonesia Topic of Article Suggested topics for discussion include, but are not limited to Biology Botany, Zoology, Ecology, Microbiology, Biotechnology and Applied Biology

Physics Instrumentation, Theoretical Physics, Material Physics. And by having access to our ebooks online or by storing it on your computer, you have convenient answers with Bobcat Brushcat Parts Manual. To get started finding Bobcat Brushcat Parts Manual, you are right to find our website which has a comprehensive collection of manuals listed.

Our library is the biggest of these that have literally hundreds of thousands of different products represented. I get my most wanted eBook Many thanks If there is a survey it only takes 5 minutes, try any survey which works for you.

<http://www.drupalitalia.org/node/68245>